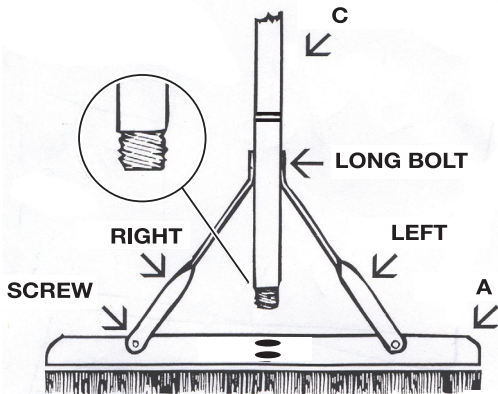




WONDER BROOM ASSEMBLY INSTRUCTIONS

1. Screw handle, Part “C”, into hole on nearest side of head (A).
2. Fasten left-angled brace on left side of head and right-angled brace on right side of head with screws provided.
3. Loosen handle slightly, if necessary, to align handle with brace holes. Insert long bolt through assembly and fasten with lock nut.



SEYMOUR
MIDWEST

P.O. Box 1674 Warsaw, Indiana 46581-1674
844-SEYMOUR 574-267-8508 FAX
www.seymourmidwest.com