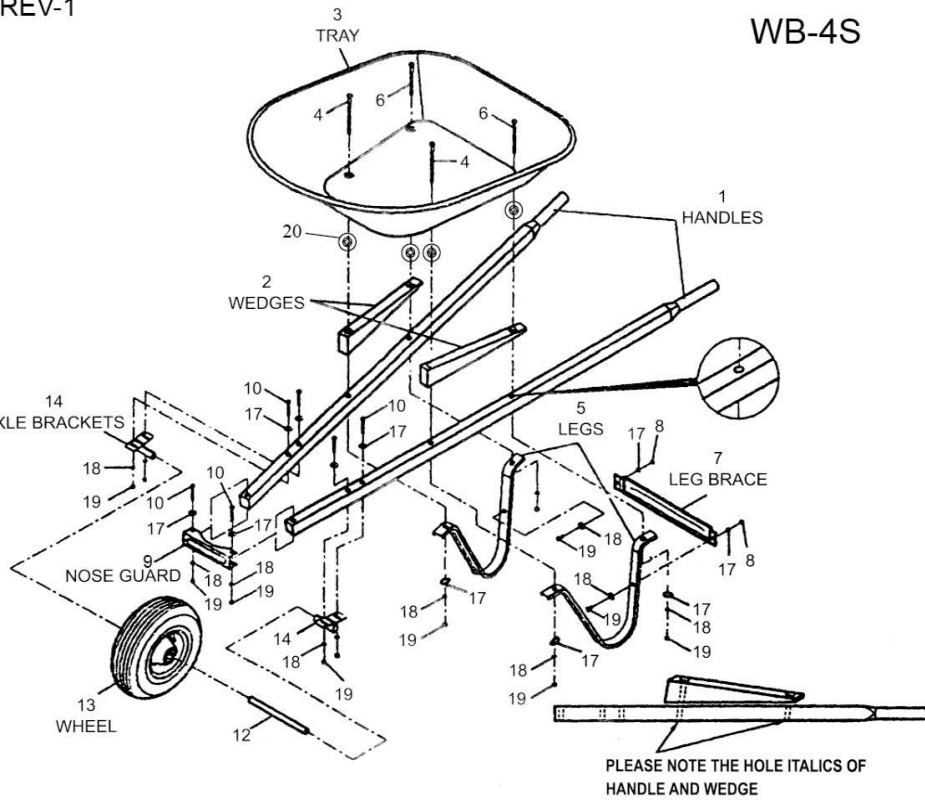
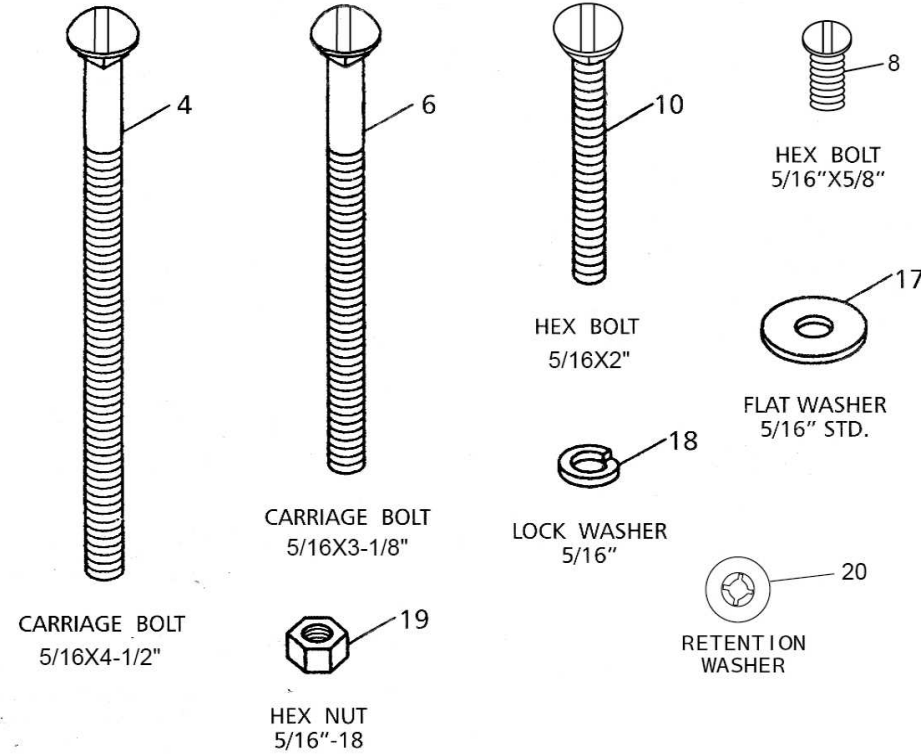


# 4 CU.FT. WHEELBARROW

WB-4S



## FULL SIZE HARDWARE CHART



- . Be sure that all parts shown on the drawing are in the package.
- . Assembly requires a few hand tools, screw driver, box or open wrench to fit the nuts.
- . DO NOT wrench tighten nuts until entire wheel barrow has been assembled.
- . Set the tray (3) on it's side, insert 5/16" x 4-1/2" carriage bolts (4) through the two front holes, then slide retention washers (20) all the way onto both bolts so they stay in place.
- . Repeat step D using 5/16" x 3-1/8" carriage bolts (6), inserting them through the two back holes, then slide retention washers (20) all the way onto both bolts so they stay in place.
- . Lay the tray down on it's top so that bolts are pointing up.
- . Position wedges (2) properly and slide onto bolts.
- . Position handles (1) properly and slide onto bolts.
- . Position legs (5) properly and slide onto bolts, then secure parts by putting flats washers, lock washers, and nuts on the bolts.
- . Attach the leg brace (7) to the legs using 5/16" x 5/8" bolts (8), lock washers, flat washers, and nuts.

- K. Bolt nose guard (9) to the outsides of the front of the handles using 5/16" x 2" bolts (10), flat washers, lock washers, and nuts.
- L. Insert axle (12) through wheel (13). Mount the axle brackets (14) to the bottom side of the handles (which are now facing up) with 5/16" x 2" bolts (10), flat washers, lock washers, and nuts.
- M. Tighten all nuts securely with a wrench and screw driver.
- N. Warning Max.pressure 30PSI use caution when inflating.

Ref No	Q'ty	Description
4	2	Bolt,Carriage PLTD 5/16"x4-1/2" Long
6	2	Bolt,Carriage PLTD 5/16"x3-1/8" Long
8	2	Bolt,Hex Grade 5 PLTD 5/16" x5/8"
10	6	Bolt,Hex Grade 5 PLTD 5/16"x2"
17	12	Flat washer,PLTD 5/16"
18	12	Lock washer,PLTD 5/16"
19	12	Nut,Hex PLTD 5/16"-18
20	4	Retention Washer

## PARTS LIST

Q'ty	Description
1	Tray
2	Handle
2	Wedge
2	Leg
1	Leg Brace
1	Nose Guard
2	Axle Bracket
1	Wheel
1	Bolt Bag