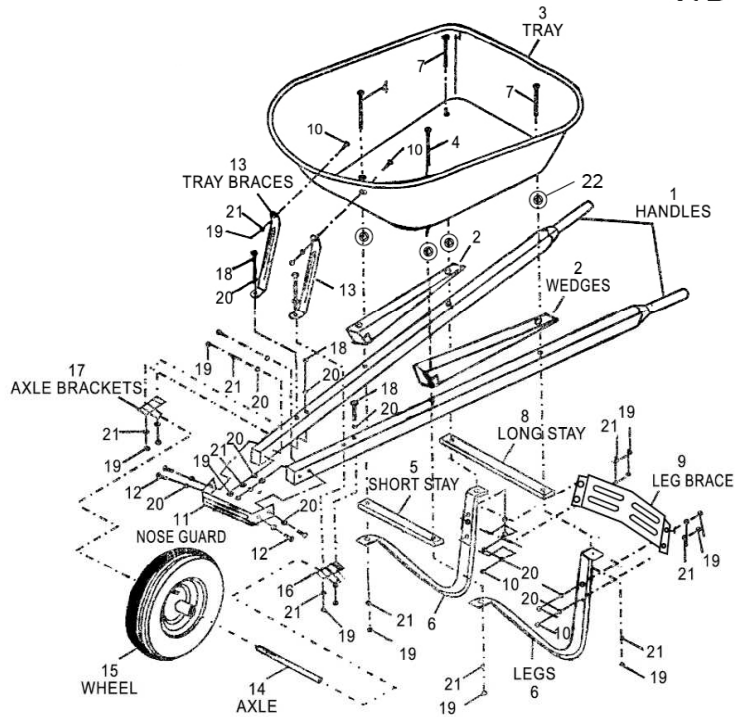
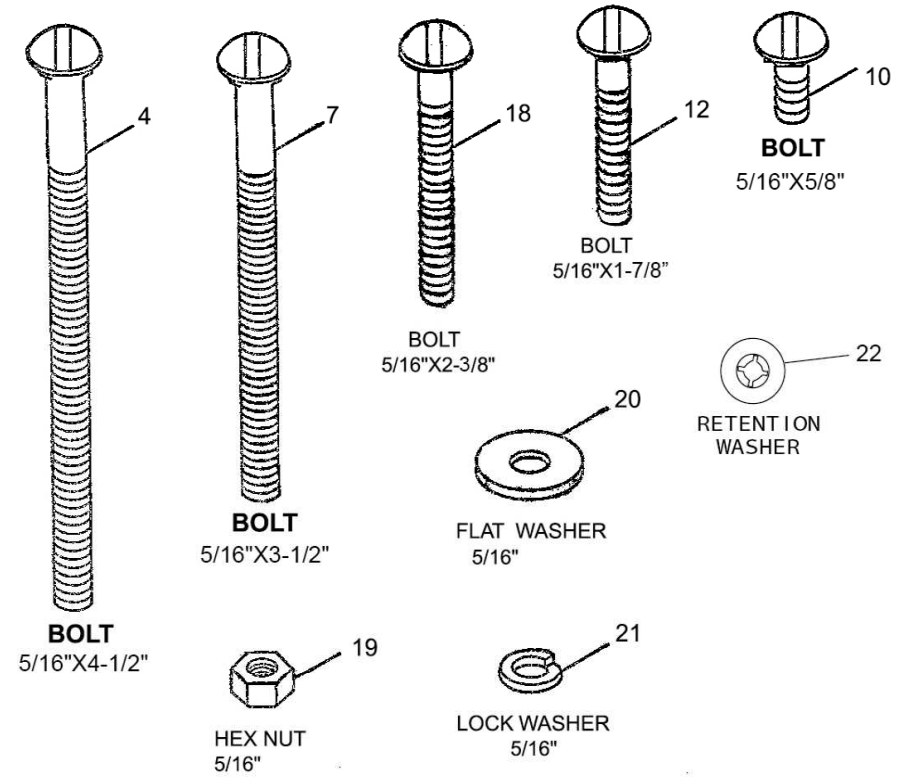


6 CU.FT.WHEELBARROW

WB-6S



FULL SIZE HARDWARE CHART



BOLT BAG

Part #	Q'ty	Description
4	2	Bolt, 5/16"x4-1/2" Long
7	2	Bolt, 5/16"x3-1/2" Long
10	6	Bolt, 5/16" x5/8"
12	4	Bolt, 5/16" x1-7/8"
18	4	Bolt, 5/16" x2-3/8"
19	18	Nut, 5/16"
20	18	Flat washer, 5/16"
21	18	Lock washer, 5/16"
22	4	Retention Washer

PARTS LIST

Q'ty	Description
2	Handle
2	Wedge
1	Tray
1	Short Stay
2	Leg
1	Long Stay
1	Leg Brace
1	Nose Guard
2	Tray Brace
1	Axle
1	Wheel
2	Axle Bracket
1	Bolt Bag

- A. Be sure that all parts shown on the drawing are in the package.
- B. Assembly requires a few hand tools, screw driver, box or open wrench to fit the nuts.
- C. DO NOT wrench tighten nuts until entire wheel barrow has been assembled.
- D. Set the tray (3) on it's side, insert 5/16" x 4-1/2" bolts (4) through the two front holes, then slide retention washers (22) all the way onto both bolts so they stay in place.
- E. Repeat step D using 5/16" x 3-1/2" bolts (7), inserting them through the two back holes, then slide retention washers (22) all the way onto both bolts so they stay in place.
- F. Lay the tray down on it's top so that bolts are pointing up.
- G. Position wedges (2) properly and slide onto bolts.
- H. Position handles (1) properly and slide onto bolts.
- I. Position short stay (5) and long stay (8) properly and slide onto bolts.
- J. Position legs (6) properly and slide onto bolts, then secure parts using flatwashers, lock washers, and nuts.

- K. Attach leg brace (9) to the back of both legs using 5/16" x 5/8" bolts (10) flat washers, lock washers, and nuts.
- L. Bolt nose guard (11) to the outsides of the front of the handles using 5/16" x 1-7/8" bolts (12), flat washers, lock washers, and nuts.
- M. Attach tray brace (13) to the front of the tray using 5/16" x 5/8" bolts (10), flat washers, lock washers, and nuts.
- N. Insert axle (14) through wheel (15). Slide the axle brackets (16) & (17) onto the correct ends of the axle so they are angled in line with the handles. Bolt the axle brackets to the bottom side of the handles which are now facing up with 5/16" x 2-3/8" bolts (18), flat washers, lock washers, and nuts. Use the bolt in the front hole to also bolt the tray brace in position to the handle.
- O. Tighten all nuts securely with a wrench and screwdriver.
- P. WARNING: Max. pressure in tire is 30 PSI.